

**Product Features**

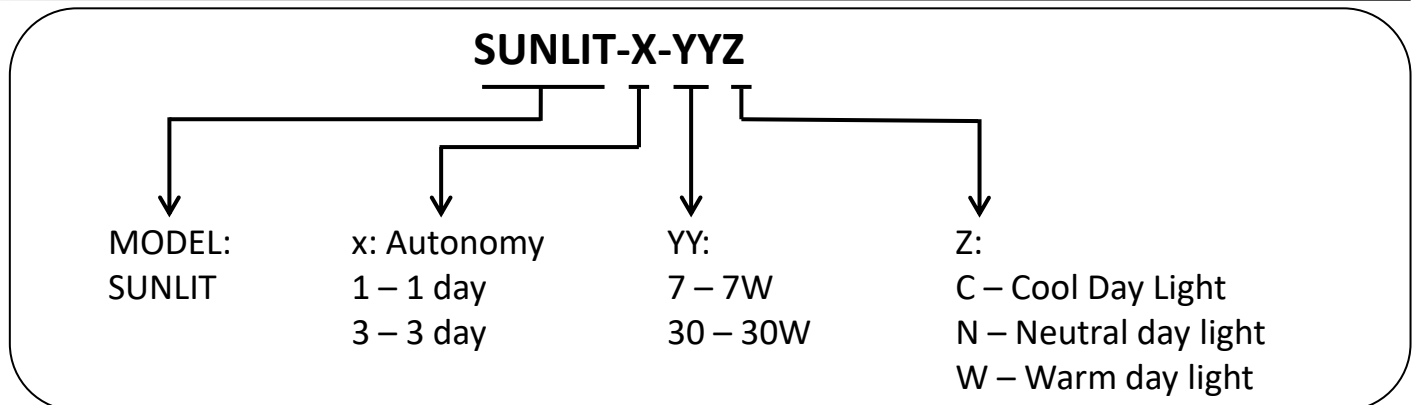


- All in one solar streetlight.
- Aluminum die cast + CRCA housing duly powder coated.
- Long life and better thermal management.
- Maintenance free LiFePo4 High efficiency battery pack.
- Inbuilt solar charge pump with high efficiency electronics.
- Available in 1 day / 3 days autonomy.



<b>Optical Specification</b>	System Power Consumption (W)± 10%	7/12/14/20/30/40W
	Light Source	LED
	Typ. Fixture Efficacy (LM/W)	110
	Color Temperature (K)	Cool White
	CRI	70
	Diffuser / Optical material	Polycarbonate secondary optics
	Beam Angle options	Type II / Type III
<b>General specification</b>	Mounting Style	Pole mount
	Backup time	1 Day / min. 12 hrs; 3 days / Min. 36 hrs.
	Lighting Time	12 hours/Night
	Solar panel Module	Polycrystalline cells
<b>LED Indications</b>	Battery not charging, PV low	Green LED OFF
	Battery charging	Green ON
	Battery full	Green flashing
	Battery not discharged	Red OFF
	Battery discharged; Load disconnect	Red ON
<b>Battery</b>	Type	LiFePo4
	Life cycle	> 2000 cycles
	Operation Temperature	0 to +45°C
<b>Controller</b>	Charging type	MPPT
	Operating Profile Options	Dusk-to-dawn 100% power, various dimming profiles
	Day / Night Transition	Via solar panels

**Model No.**



All features, functionality and other product specifications are subject to change without notice or obligation.